

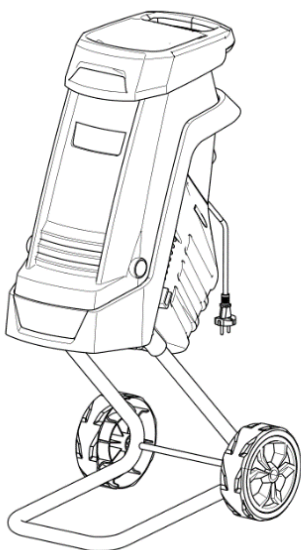


# ELECTRIC SHREDDER

Instruction Manual

# САДОВИЙ ПОДРІБНЮВАЧ

Інструкція з експлуатації та технічного обслуговування



**2E-ES24**



Перед початком експлуатації пристрою уважно прочитайте цю інструкцію та збережіть її для подальшого використання в якості довідкового матеріалу.

Please read and comply with these original instructions prior to the initial operation of your appliance and store them for later use or subsequent owners.



<b>1 APPLIANCE .....</b>	<b>4</b>
<b>2 DESCRIPTION (FIG. A) .....</b>	<b>4</b>
<b>3 PACKAGE .....</b>	<b>5</b>
<b>4 SYMBOLS .....</b>	<b>5</b>
<b>5 GENERAL POWER TOOL SAFETY WARNINGS .....</b>	<b>6</b>
<i>5.1 Working area .....</i>	<i>6</i>
<i>5.2 Electrical safety .....</i>	<i>6</i>
<i>5.3 Personal safety .....</i>	<i>7</i>
<i>5.4 Power tool use and care.....</i>	<i>7</i>
<i>5.5 Service.....</i>	<i>8</i>
<b>6 ADDITIONAL SAFETY RULES FOR SHREDDERS .....</b>	<b>8</b>
<i>6.1 Preparation:.....</i>	<i>10</i>
<i>6.2 Operation:.....</i>	<i>10</i>
<i>6.3 Maintenance and storage .....</i>	<i>11</i>
<i>6.4 Additional safety instructions for units with bagging attachments. 12</i>	
<b>7 ASSEMBLY INSTRUCTIONS.....</b>	<b>12</b>
<i>7.1 Assembly of the shredder .....</i>	<i>12</i>
<b>8 OPERATION .....</b>	<b>14</b>
<i>8.1 On/off switch (Fig. 4).....</i>	<i>14</i>
<i>8.2 Overload protection (Fig. 5) .....</i>	<i>14</i>
<i>8.3 Safety lock .....</i>	<i>15</i>
<i>8.4 Disassembly.....</i>	<i>15</i>
<i>8.5 Instructions for use .....</i>	<i>15</i>
<i>8.5.1 How do I collect the shredded material?.....</i>	<i>16</i>
<b>9 TECHNICAL DATA .....</b>	<b>16</b>
<b>10 NOISE.....</b>	<b>16</b>
<b>11 CLEANING AND MAINTENANCE .....</b>	<b>17</b>
<i>11.1 Replacement of the cutters (Fig. 6).....</i>	<i>17</i>
<b>12 STORAGE .....</b>	<b>18</b>
<b>13 TROUBLE SHOOTING .....</b>	<b>18</b>
<b>14 ENVIRONMENT .....</b>	<b>19</b>
<b>15 DECLARATION OF CONFORMITY .....</b>	<b>19</b>
<b>WARRANTY INFORMATION .....</b>	<b>37</b>

# Garden Shredder 2E-ES24

## 1 APPLIANCE

This shredder is designed for composting/cutting of fibrous and woody garden waste. Not suitable for professional use.



**Warning! Read this manual and the general safety instructions carefully before using the machine, for your own safety. Keep this manual for future reference.**

## 2 DESCRIPTION (FIG. A)

1. Feeding hopper
2. safety screw
3. Collect bag (not shown on figure)
4. Wheel
5. On/off switch
6. Plug (connection for extension cable)
7. Shredder body
8. Overload protection
9. Push stick
10. Wheel axle
11. Foot



### 3 PACKAGE

- Remove all packaging materials.
- Remove remaining packing and package inserts (if included).
- Check that the package contents are complete.
- Check the appliance, the power cord, the power plug and all accessories for transportation damage.
- Keep the packing materials as long as possible till the end of the warranty period. Dispose it into your local waste disposal system afterwards.



**WARNING: Packaging materials are not toys! Children must not play with plastic bags! Danger of suffocation!**

### 4 SYMBOLS

	Warning / Danger!		Warning! Flying objects.
	Read manual before use.		Wear gloves.
	Danger – rotating blades!		Always switch off the shredder, disconnect the plug and wait until the cutting disc stops before carrying out maintenance or cleaning work.
	Keep hands and feet out of openings while machine is running.		Wear ear protection.
	Keep bystanders away.		Wear eye protection.
	Keep hands and feet away from sharp parts.		Never operate the machine in the rain or in damp or wet conditions. Moisture is an electrical shock hazard.

## 5 GENERAL POWER TOOL SAFETY WARNINGS

Read all safety warnings and instructions. Failure to heed warnings and follow instructions may result in electric shock, fire and/or serious injury. Keep safety warnings and instructions for future reference. The term «power tool» in the safety warnings refers to your mains- operated (corded) power tool or battery-operated (cordless) power tool.

### 5.1 Working area

- Keep working area clean and well lit. Untidy and dark areas can lead to accidents.
- Do not operate power tools in potentially explosive surroundings, for example, in the presence of inflammable liquids, gases or dust. Power tools create sparks which may ignite the dust or fumes.
- Keep children and bystanders at a distance when operating a power tool. Distractions can cause you to lose control of it.

### 5.2 Electrical safety

- Always check that the power supply corresponds to the voltage on the rating plate.
- Power tool plugs must match the outlet. Never modify the plug in any way. Do not use adapter plugs with earthed power tools. Unmodified plugs and matching outlets will reduce the risk of an electric shock.
- Avoid body contact with earthed surfaces such as pipes, radiators, kitchen ranges and refrigerators. There is an increased risk of an electric shock if your body is earthed.
- Do not expose power tools to rain or wet conditions. If water gets inside a power tool, it will increase the risk of an electric shock.
- Do not damage the cord. Never use the cord for carrying, pulling or unplugging the power tool. Keep the cord away from heat, oil, sharp edges or moving parts. Damaged or entangled cords increase the risk of an electric shock.
- When operating a power tool outdoors, use an extension cable suitable for outdoor use. Using a cord suitable for outdoor use reduces the risk of an electric shock.
- If operating a power tool in a damp location is unavoidable, use a power supply protected by a residual current device (RCD). Using an RCD reduces the risk of an electric shock.

### **5.3 Personal safety**

- Stay alert, watch what you are doing and use common sense when operating a power tool. Do not use a power tool when you are tired or under the influence of drugs, alcohol or medication. A moment of inattention when operating a power tool may result in serious personal injury.
- Use safety equipment. Always wear eye protection. Using safety equipment such as a dust mask, non-skid safety shoes, a hard hat, or hearing protection whenever it is needed will reduce the risk of personal injury.
- Avoid accidental starts. Ensure the switch is in the off position before inserting the plug. Carrying power tools with your finger on the switch or plugging in power tools when the switch is in the on position makes accidents more likely.
- Remove any adjusting keys or spanners before turning on the power tool. A spanner or key left attached to a rotating part of the power tool may result in personal injury.
- Do not reach out too far. Keep your feet firmly on the ground at all times. This will enable you retain control over the power tool in unexpected situations.
- Dress properly. Do not wear loose clothing or jewelry. Keep your hair, clothing and gloves away from the power tool. Loose clothes, jewelry or long hair can become entangled in the moving parts.
- If there are devices for connecting dust extraction and collection facilities, please ensure that they are attached and used correctly. Using such devices can reduce dust-related hazards.

### **5.4 Power tool use and care**

- Do not expect the power tool to do more than it can. Use the correct power tool for what you want to do. A power tool will achieve better results and be safer if used in the context for which it was designed.
- Do not use the power tool if the switch cannot turn it on and off. A power tool with a broken switch is dangerous and must be repaired.
- Disconnect the plug from the power source before making adjustments, changing accessories, or storing power tools. Such preventive safety measures reduce the risk of starting the power tool accidentally.
- Store power tools, when not in use, out of the reach of children and do not allow people who are not familiar with the power tool or these instructions to operate it. Power tools are potentially dangerous in the hands of untrained users.

- Maintain power tools. Check for misalignment or jammed moving parts, breakages or any other feature that might affect the operation of the power tool. If it is damaged, the power tool must be repaired. Many accidents are caused by using poorly main-tained power tools.
- Keep cutting tools sharp and clean. Properly maintained cutting tools with sharp cutting edges are less likely to jam and are easier to control.
- Use the power tool, accessories and cutting tools, etc., in accordance with these in-structions and in the manner intended for the particular type of power tool, taking into account the working conditions and the work which needs to be done. Using a power tool in ways for which it was not intended can lead to potentially hazardous situa-tions.

### **5.5 Service**

- Your power tool should be serviced by a qualified specialist using only standard spare parts. This will ensure that it meets the required safety standards.

## **6 ADDITIONAL SAFETY RULES FOR SHREDDERS**

- Wear protective gloves, protective glasses and hearing protectors. Avoid loose clothing.
- Always stand steadily and in balance. Do not stretch towards the machine.
- During use, the machine should be level and on a firm surface.
- Ensure that all screws and nuts are properly tightened before use.
- Only use the machine in dry conditions and never use outdoors when it is raining.
- Never use the machine with damaged safety devices or without protection.
- Keep hands, other parts of our body and clothing away from the feeding hopper and the discharge chute.
- Keep your face and the rest of your body away from the feeding hopper.
- Do not leave the machine unsupervised, switch off the motor and disconnect the plug.
- Hard objects such as stones, bottle, cans or pieces of metal must not be fed into the inlet chute. This can cause damage to the machine.
- If the machine becomes blocked, stop the motor and disconnect the plug. Pull out any objects and check for damage.
- If the fuse blows or if the overload protection is triggered, this is a sign that the ma-chine is overloaded and/or that too many appliances are connected to the same ex-tension cable. Check the cause and remedy. Do not install a more powerful fuse.



- Do not tug on the extension cable. Do not hold the cable taut. This can cause damage in the plugs or in the cables insulation. Such damage is invisible but can be dangerous.
- Always keep the extension cable away from the machine. Disconnect the plug from the electric socket and check the cable regularly for signs of damage or aging. Do not use the machine with a damaged extension cable.
- If the cable is damaged, it must be replaced by an authorized service centre in order to avoid a hazard.
- Never move the machine by pulling the cable. The machine must not be moved with the motor running.
- The shredder must be assembled correctly before use.



**Warning! This appliance must be earthed!**



**Warning! Use only three core extension cables with the earth wire connected.**

- Only use extension cables that are approved for outdoor use and check that they are in good condition before use.
- Before inserting the plug in the mains socket, make sure that the socket ratings are correct and correspond to those indicated on the rating label on the shredder.
- Always switch off the shredder before disconnecting any plug and socket connector or extension cables.
- Keep children and pets away. All onlookers should be kept a safe distance away from the shredder when it is in use.
- Do not allow children or any person who has not read this instruction leaflet or who is not familiar with the shredder to operate it.
- The operator is responsible for third parties while working with the shredder.
- Only use the shredder for its intended purposes.



**Caution! There are rotating blades on this machine.**



**Caution! Blades do not stop immediately after switching off.**

- Always switch off the shredder, disconnect the plug and wait until the cutting disc stops before carrying out maintenance or cleaning work.
- It is forbidden to move or modify any of the electrical and mechanical safety devices.

- Use only in daylight or good artificial light.
- Do not put your hands into the feed funnel or ejection slot.
- If the shredder should start to vibrate abnormally, switch off the motor and check for the cause immediately. Vibration is generally a warning of trouble.
- Ensure blades are secure before shredding. Do not operate the shredder if any of the blades are not properly mounted.
- The shredder should be checked carefully before use. You should only work with a shredder that is in good condition. If you notice any defect on the machine that may cause danger to the operator, do not operate the shredder until defects are rectified.
- Replace worn or damaged parts for safety. Use only original spare parts. Parts not produced by manufacturer may cause poor fit and possible injury.
- Use the shredder only in places where it is protected from water and never use it outdoors in rainy weather.
- Store in a dry secure place out of reach of children,
- This appliance is not intended for use by persons (including children) with reduced physical, sensory or mental capabilities, or lack of experience and knowledge, unless they have been given supervision or instruction concerning use of the appliance by a person responsible for their safety.
- Children should be supervised to ensure that they do not play with the appliance.

### **6.1 Preparation:**

- Do not allow children to operate this equipment.
- Do not operate this equipment in the vicinity of bystanders.
- Wear ear protection and safety glasses at all times while operating.
- Avoid wearing clothing that is loose fitting or that has hanging cords and ties.
- Only operate the machine the machine in open space (e.g. not close to a wall or other fixed objects) and on a firm, level surface.
- Do not operate the machine on a paved or gravel surface, where ejected material could cause injury.
- Before starting the machine, check that all screws, nuts, bolts, and other fasteners are properly secured and that guards and screens are in place. Replace damaged and unreadable labels.

### **6.2 Operation:**

- Before starting the machine, look into the feeding chamber to make certain, that it is empty.
- Keep your face and body away from the feed intake opening.

- Do not allow hands or any other part of the body or clothing inside the feeding chamber, discharge chute, or near any moving part.
- Keep proper balance and footing at all times. Do not overreach. Never stand at a higher level than the base of the machine, when feeding material into it.
- Always stand clear of the discharge zone when operating this machine.
- When feeding material into the machine be extremely careful that pieces of metal, rocks, bottles, cans or other foreign objects are not included.
- If the cutting mechanism strikes any foreign objects or if the machine should start making any unusual noise or vibration, shut off the power source and allow the machine to stop, disconnect the spark plug wire from the spark plug ( electric unit dis-connect from supply) and take the following steps:
  - Inspect for damage.
  - Check for and tighten any loose parts.
  - Have any damaged parts replaced or repaired with parts having equivalent specifications.
- Do not allow processed material to build up in the discharge zone; this may prevent proper discharge and can result kickback of material through the feed intake opening.
- If the machine becomes clogged, shut of the power source and disconnect the spark plug wire from the spark plug (electric unit disconnect from supply) before clearing debris. Keep the power source clear of debris and other accumulations to prevent damage to the power source or possible fire. Remember that operating the starting mechanism on engine powered machines will still cause the cutting means to move.
- Keep all guards and deflectors in place and in good working condition.
- Do not tamper with the power source governor settings; the governor controls the safe maximum operating speed and protects the power source and all moving parts from damage caused by over speed. Seek authorized service if a problem exists.
- Do not transport this machine while the power source is running.
- Shut off the power source and disconnect the spark plug lead (electric unit dis-connect from supply) whenever you leave the work area.
- Do not tilt the machine while the power source is running.

### **6.3 Maintenance and storage**

- When the machine is stopped for servicing, inspection, or storage, or to change an accessory, shut off the power source, disconnect the spark plug wire from the spark plug (electric unit disconnect from supply), make sure

that all moving parts have come to a complete stop and, where a key is fitted remove. Allow the machine to cool before making any inspections, adjustments, etc.

- Store the machine where fuel vapour will not reach an open flame or spark. For extended storage periods, run the unit dry of fuel. Allow the machine to cool before storing.
- When servicing the cutting means be aware that, even though the power source will not start due to the interlock feature of the guard, the cutting means can still be moved by a manual starting mechanism.

#### **6.4 Additional safety instructions for units with bagging attachments**

- Shut-off the power unit before attaching or removing the bag.

## **7 ASSEMBLY INSTRUCTIONS**

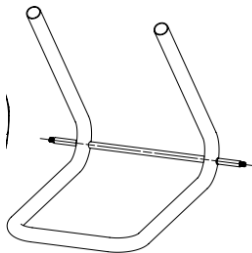


**Warning! You may need assistance when lifting the machine out of the box and assembling.**

Open the package and remove the machine from package;  
Pull out the collect bag and take out the main part of the machine and all accessories.

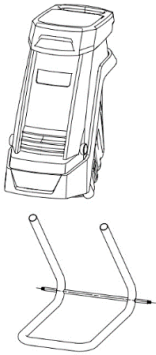
### **7.1 Assembly of the shredder**

- Turn the shredder upside down.
- Insert the wheel axle through the pre-drilled holes in the foot (Fig. 1).



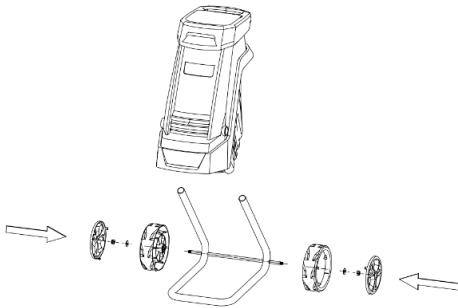
(Fig.1)

- Insert the foot (11) into the body.



(Fig.2)

- Mount the wheel in the same order illustrated in fig 2 ensure the nut is not too tight.
- Tighten the hand screw (2). The hand screw has a safety switch please ensure the knob is tightened or the motor will not activate.



(Fig.3)



**NOTE: It is dangerous to use the machine without the hopper (1).**

## 8 OPERATION

### 8.1 On/off switch (Fig. 4)



- Press the on/off switch to start and/or stop the machine.

Note: the machine is equipped with a safety switch to prevent it from being switched on again accidentally after a power failure.

### 8.2 Overload protection (Fig. 5)



Overload (e.g. blocking up of the cutting blades) leads to a standstill of the machine after a few seconds. To protect the motor from being damaged, the overload switch (8) will cut the mains automatically. Wait at least 1 minute before restarting by first pressing the reset button and then the on/off switch. In the event of blocking of the cutting blade, turn the rotational direction switch to the right position before switching the shredder on again. If the motor does not restart, do the following:

- Remove the plug from the mains socket.
- Loosen the hand screw (2) and open the top part upwards.
- Clean carefully the cutting and discharge parts and remove any objects that could obstruct the blades.
- Put the top part back and tighten the hand screw firmly.
- Press the reset button before pressing the On/Off switch.



**Attention! Always wear safety gloves when executing the steps mentioned above!**

### 8.3 Safety lock

The shredder is equipped with the safety switch at the lock between the top and bottom parts. If the top part does not fit perfectly and sit fast on the bottom part, the SAFETY SWITCH is activated and the motor will not work. If this happens:

- Remove the plug from the mains socket.
- Remove the top part, as described in the previous paragraph.
- Clean carefully the cutting and discharge parts and remove any objects that could obstruct the blades.
- Put them together again and tighten the hand screw firmly.



**ATTENTION: Never loosen the hand screw before first turning off the On/Off switch and removing the plug from the mains socket.**

### 8.4 Disassembly

In certain circumstances, e.g. storage after use, you can take the machine apart by performing the assembly steps in reverse order, as described earlier.

### 8.5 Instructions for use

Place the material to be shredded in the opening on the right side. It will then be automatically drawn into the machine by the cutter as it turns counter clockwise.

- Do not stuff the opening completely full to avoid jamming the machine.
- Alternate feeding branches and small litter that is a bit wet and decomposed. This will also help to avoid jamming the cutter.
- Squashy kitchen rubbish must be composted, never put it through the shredder!
- Branches with leaves must always be entirely through the shredder and out of the way before feeding new material into the machine. Make sure the shredded material is able to fall unobstructed into the bag without blocking the outlet.
- The ventilation opening must not be blocked by the shredded material.
- Continuous shredding of thick wood or branches can cause the machine to jam.
- Soft material like leaves or sprigs can easily block the inlet: use a stick to poke it in.
- Always check litter for nails and stones before shredding as they can seriously damage the shredder.
- Watch for vibrations, vibration indicates worn or damaged blades.

- Replace blades if necessary.

### 8.5.1 How do I collect the shredded material?

- Shut-off the power unit before attaching or removing the bag.
- You can use either the collection bag supplied or place the shredder on a tarpaulin sheet to catch the shredded material.
- When using the collection bag, you need to fit the collection bag hooks onto the sides of the discharge chute.



**Warning: The ventilation slots on the machine body must never be covered by the collection bag or shredded material.**

## 9 TECHNICAL DATA

Voltage	220-240 V~
Frequency	50/60 Hz
Power	2400 W
Max. cutting diameter	40 mm
No-load speed	4500 rpm
Cable length	0.35 m
Protection class	II
Protectiondegree	IPX4

## 10 NOISE

Noise emission values measured according to relevant standard. (K=3)

Acoustic pressure level LpA	72.3 dB(A)
Acoustic power level LwA	92.3 dB(A)
Declared sound value	94 dB(A)



**ATTENTION! Wear hearing protection when sound pressure is over 85 dB(A).**



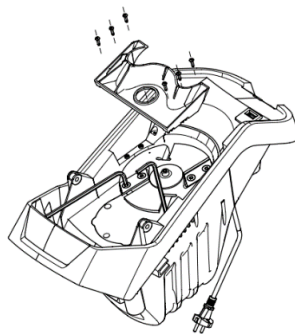
## 11 CLEANING AND MAINTENANCE

Before commencing cleaning and maintenance procedures, make sure the garden shredder is switched off and disconnected from the mains supply. Always wear sturdy leather gloves when cleaning the cutter blades.

- To ensure the best performance from the garden shredder, it must be kept clean.
- Always clean the garden shredder immediately after use.
- Do not allow material to become dry and hard on any of the garden shredder sur-faces. This will directly affect the shredding performance.
- Make sure that the inlet chute and the discharge chute are kept clean and clear of all waste material.
- Make sure that all nuts, bolts and screws are tight and secure.
- Always have any damaged or worn parts repaired, or replaced by qualified personnel.
- Do not use detergents or solvents as these could cause irreparable damage to your machine. Chemicals can destroy the plastic parts.
- Oil the drum every 4th or 5th (use BIO-degradable oil to protect environment).

### 11.1 Replacement of the cutters (Fig.6)

If the cutters must be replaced, do it always in pairs. Open the shredder, block the cutter disc with a screwdriver. Using the supplied hex wrench, screw out the socket head screws. Assemble the new cutters in reverse order.



**CAUTION!** Do not over tighten the plate adjustment screw and cut excessive aluminium off of the plate, as this will reduce the life of your shredder.



**Have your garden shredder inspected and maintained by qualified service personnel. Do not attempt to repair the machine unless you are qualified to do so.**



**WARNING! Never use a high-pressure washer or running water when cleaning the shredder! Brush away dirt and plant residues which may be caught in the spiral cutter. Wipe clean the outside of the shredder with a cloth which has been moistened with a mild detergent and water.**

## 12 STORAGE

To protect the shredder from corrosion when storing for a longer period, treat the cutting blade with environmentally-friendly oil.

## 13 TROUBLE SHOOTING

PROBLEM	CAUSE	ACTION
The motor does not run	Safety lock.	Tighten the hand screw firmly.
	Power failure.	Check the power supply cable, the plug and the house fuse.
The material to be chopped is not drawn in	The material is jammed in the feeding funnel.	Switch the shredder OFF. Pull the material from the feed funnel. Switch the shredder back ON and re-feed thick branches such that the blade does not immediately engage the pre-cut notches again.
	Shredding material is too soft.	Insert wood or shred dried branches.
	The cutting blade is blocked.	Loosen the hand screw, open the shredder and remove the material that causes the blockage.

## 14 ENVIRONMENT



Pay attention to the labeling of packaging materials for separate waste collection, which are marked with abbreviations (a) and numbers (b) with the following meaning: 1-7: plastic / 20-22: paper and fiberboard / 80-98: composite materials.



Should your appliance need replacement after extended use, do not dispose of it with the household refuse, but in an environmentally safe way.

Waste produced by electrical machine items should not be handled like normal household rubbish. Please recycle where recycle facilities exist. Check with your Local Authority or retailer for recycling advice.

## 15 DECLARATION OF CONFORMITY



Julvon Power Machinery (Ningde) Co. LTD

Product:

Shredder

Trade mark: Julvon

Model: ZF5120B

Is in conformity with the essential requirements and other relevant provisions of the applicable European Directives, based on the application of European harmonized standards. Any unauthorized modification of the apparatus voids this declaration.

European Directives (including, if applicable, their amendments up to the date of signature):

2011/65/EU

2006/42/EC

2014/30/EU

2000/14/EC

Annex V

LwA

Measured 92.3dB(A)

Guaranteed 94dB(A)

European harmonized standards (including, if applicable, their amendments up to the date of signature):

EN60335-1 : 2012/A15:2021

EN50434 : 2014

EN IEC 55014-1 :2021

EN IEC 55014-2 :2021

EN IEC 61000-3-2 : 2019/A1:2021

EN IEC 61000-3-31 : 2013/A2:2021

<b>1 ПРИЛАД</b> .....	<b>21</b>
<b>2 ОПИС (Рис. А)</b> .....	<b>22</b>
<b>3 ПАКОВАННЯ</b> .....	<b>23</b>
<b>4 СИМВОЛИ</b> .....	<b>23</b>
<b>5 ЗАГАЛЬНІ ЗАСТЕРЕЖЕННЯ ЩОДО БЕЗПЕКИ ЕЛЕКТРОІНСТРУМЕНТА</b> .....	<b>25</b>
<b>5.1 Робоча зона</b> .....	<b>25</b>
<b>5.2 Електробезпека</b> .....	<b>25</b>
<b>5.3 Особиста безпека</b> .....	<b>25</b>
<b>5.4 Використання електроінструмента і догляд за ним</b> .....	<b>25</b>
<b>5.5 Обслуговування</b> .....	<b>26</b>
<b>6 ДОДАТКОВІ ПРАВИЛА БЕЗПЕКИ ДЛЯ ПОДРІБНЮВАЧІВ</b> .....	<b>26</b>
<b>6.1 Підготовка</b> .....	<b>28</b>
<b>6.2 Експлуатація</b> .....	<b>29</b>
<b>6.3 Обслуговування та зберігання</b> .....	<b>30</b>
<b>6.4 Додаткові інструкції з техніки безпеки для пристроїв з мішковими насадками</b> .....	<b>30</b>
<b>7 ІНСТРУКЦІЇ ЗІ ЗБІРКИ</b> .....	<b>30</b>
<b>7.1 Збірка подрібнювача</b> .....	<b>30</b>
<b>8 ЕКСПЛУАТАЦІЯ</b> .....	<b>31</b>
<b>8.1 Перемикач увімкнення/вимкнення (Рис. 4)</b> .....	<b>31</b>
<b>8.2 Захист від перевантаження (Рис. 5)</b> .....	<b>32</b>
<b>8.3 Запобіжник</b> .....	<b>32</b>
<b>8.4 Розбірка</b> .....	<b>33</b>
<b>8.5 Інструкції із застосування</b> .....	<b>33</b>
<b>8.5.1 Як зібрати подрібнений матеріал?</b> .....	<b>34</b>
<b>9 ТЕХНІЧНІ ДАНІ</b> .....	<b>34</b>
<b>10 ШУМ</b> .....	<b>34</b>
<b>11 ЧИЩЕННЯ ТА ОБСЛУГОВУВАННЯ</b> .....	<b>35</b>
<b>11.1 Заміна різців (Рис. 6)</b> .....	<b>35</b>
<b>12 ЗБЕРІГАННЯ</b> .....	<b>36</b>
<b>13 УСУНЕННЯ НЕСПРАВНОСТЕЙ</b> .....	<b>36</b>
<b>14 НАВКОЛИШНЄ СЕРЕДОВИЩЕ</b> .....	<b>37</b>
<b>15 ІНФОРМАЦІЯ ПРО ГАРАНТІЮ</b> .....	<b>39</b>

# Подрібнювач садовий 2E-ES24

## 1 ПРИЛАД

Цей подрібнювач призначений для компостування/подрібнення волокнистих і деревних садових відходів. Не підходить для професійного використання.



**Увага! Уважно прочитайте цей посібник та загальні інструкції з техніки безпеки перед початком роботи з машиною для вашої власної безпеки. Збережіть цей посібник для подальшого використання.**

## 2 ОПИС (Рис. А)

1. Завантажувальний бункер
2. Запобіжний гвинт
3. Мішок для збору (не позначено на рисунку)
4. Колесо
5. Перемикач увімкнення/вимкнення
6. Штекер (з'єднання для подовжувача)
7. Корпус подрібнювача
8. Захист від перевантаження
9. Палиця для штовхання
10. Колісна вісь
11. Ніжка



### 3 ПАКОВАННЯ

- Видаліть усі пакувальні матеріали.
- Видаліть залишки пакування та пакувальні вкладки (якщо вони є).
- Переконайтеся, що вміст пакунка є повним.
- Перевірте прилад, шнур живлення, штепсельну вилку та всі аксесуари на наявність пошкоджень під час транспортування.
- Зберігайте пакувальні матеріали якомога довше до кінця гарантійного терміну. Після цього утилізуйте їх у місцевій системі утилізації відходів.



**ПОПЕРЕДЖЕННЯ: пакувальні матеріали не є іграшками! Діти не повинні гратися з поліетиленовими пакетами! Небезпека задухи!**

### 4 СИМВОЛИ

	Попередження / Небезпека!		Увага! Літаючі об'єкти.
	Перед використанням прочитайте інструкцію.		Одягніть рукавички.
	Небезпека — леза, що обертаються!		Перш ніж здійснювати технічне обслуговування або чищення, вимкніть подрібнювач, від'єднайте штепсельну вилку і зачекайте, поки ріжучий диск зупиниться.
	Під час роботи машини тримайте руки і ноги подалі від отворів.		Носіть захисні навушники.
	Не підпускайте сторонніх.		Одягайте захисні окуляри.
	Тримайте руки та ноги подалі від гострих частин.		В жодному разі не використовуйте машину під дощем, у вологих або мокрих умовах. Волога становить небезпеку ураження електричним струмом.

## **5 ЗАГАЛЬНІ ЗАСТЕРЕЖЕННЯ ЩОДО БЕЗПЕКИ ЕЛЕКТРОІНСТРУМЕНТА**

Прочитайте всі попередження та інструкції з техніки безпеки. Недотримання попереджень та інструкцій може призвести до ураження електричним струмом, пожежі та/або серйозних травм. Зберігайте попередження та інструкції з техніки безпеки для подальшого використання. Термін «електроінструмент» у попередженнях з техніки безпеки стосується вашого електроінструмента з живленням від мережі (дротового) або акумулятора (бездротового).

### **5.1 Робоча зона**

- Робоча зона повинна бути чистою і добре освітленою. Неприбрані та темні зони можуть призвести до нещасних випадків.
- Не використовуйте електроінструменти в потенційно вибухонебезпечному середовищі, наприклад, поряд із легкозаймистими рідинами, газом або пилом. Електроінструменти створюють іскри, які можуть запалити пил чи дим.
- Під час роботи з електроінструментом тримайте дітей та сторонніх осіб на відстані. Відволікання може призвести до втрати контролю над ним.

### **5.2 Електробезпека**

- Переконайтеся, що напруга живлення відповідає напрузі, зазначеній на таблиці з технічними даними.
- Штепсельні вилки електроінструментів повинні відповідати розетці. В жодному разі не модифікуйте штепсельну вилку будь-яким чином. Не використовуйте вилки-перехідники з заземленими електроінструментами. Немодифіковані вилки та відповідні розетки зменшують ризик ураження електричним струмом.
- Уникайте контакту з заземленими поверхнями, такими як труби, радіатори, кухонні плити і холодильники. Існує підвищений ризик ураження електричним струмом, якщо ваше тіло заземлене.
- Не піддавайте електроінструменти впливу дощу чи вологи. Потрапляння води всередину електроінструмента підвищує ризик ураження електричним струмом.
- Не пошкоджуйте шнур. В жодному разі не використовуйте шнур для перенесення, витягування або від'єднання електроінструмента від мережі. Тримайте шнур подалі від джерел тепла, оливи, гострих країв та рухомих частин. Пошкоджені або заплутані шнури підвищують ризик ураження електричним струмом.

- Під час роботи з електроінструментом на відкритому повітрі використовуйте подовжувач, придатний для використання на вулиці. Використання кабелю, придатного для використання на вулиці, зменшує ризик ураження електричним струмом.
- Якщо робота з електроінструментом у вологому приміщенні неминуча, використовуйте джерело живлення, захищене пристроєм захисного вимкнення (ПЗВ). Використання ПЗВ знижує ризик ураження електричним струмом.

### **5.3 Особиста безпека**

- Будьте уважні, стежте за тим, що ви робите, і керуйтеся здоровим глуздом під час роботи з електроінструментом. Не використовуйте електроінструмент, якщо ви втомилися або перебуваєте під впливом наркотиків, алкоголю чи ліків. Хвилина неуважності під час роботи з електроінструментом може призвести до серйозних травм.
- Використовуйте засоби захисту. Завжди носіть захисні окуляри. Використання засобів захисту, таких як протипилова маска, неслизьке взуття, захисна каска або засоби захисту органів слуху, коли це необхідно, зменшить ризик отримання травм.
- Уникайте випадкових увімкнень. Перш ніж вставляти вилку в розетку, переконайтеся, що перемикач перебуває у вимкненому положенні. Перенесення електроінструментів з пальцем на вимикачі або увімкнення електроінструментів, коли перемикач увімкнений, підвищує ймовірність нещасних випадків.
- Перед увімкненням електроінструмента вийміть усі регулювальні або гайкові ключі. Гайковий чи регулювальний ключ, залишений на частині електроінструмента, що обертається, може призвести до травмування.
- Не тягніться занадто далеко. Завжди міцно стійте на землі. Це дозволить вам зберегти контроль над електроінструментом у непередбачуваних ситуаціях.
- Одягайтеся належним чином. Не носіть вільний одяг чи прикраси. Тримайте волосся, одяг і рукавички подалі від електроінструмента. Вільний одяг, прикраси або довге волосся можуть заплутатися в рухомих частинах.
- Якщо є пристрої для під'єднання засобів для відсмоктування і збору пилу, переконайтеся, що вони встановлені і використовуються належним чином. Використання таких пристроїв може зменшити небезпеку, пов'язану з пилом.



#### **5.4 Використання електроінструмента і догляд за ним**

- Не очікуйте від електроінструмента більше, ніж він може зробити. Використовуйте правильний електроінструмент для того, що ви хочете зробити. Електроінструмент досягне кращих результатів і буде безпечнішим, якщо використовувати його в тому контексті, для якого він був розроблений.
- Не використовуйте електроінструмент, якщо перемикач не вмикається і не вимикається. Електроінструмент зі зламаним перемикачем є небезпечним і підлягає ремонту.
- Від'єднуйте вилку від джерела живлення перед виконанням регулювань, заміною приладдя чи зберіганням електроінструмента. Такі превентивні заходи безпеки знижують ризик випадкового увімкнення електроінструмента.
- Коли електроінструменти не використовуються, зберігайте їх у місцях, недоступних для дітей, і не дозволяйте працювати з ними особам, які не знайомі з електроінструментом або цією інструкцією. В руках непідготовлених користувачів електроінструменти є потенційно небезпечними.
- Обслуговуйте електроінструменти. Перевірте, чи немає зміщення або заклинювання рухомих частин, поломок або будь-яких інших ознак, які можуть вплинути на роботу електроінструмента. У разі пошкодження електроінструмент необхідно відремонтувати. Багато нещасних випадків трапляється через використання електроінструментів, що не обслуговуються належним чином.
- Тримайте ріжучі інструменти гострими і чистими. Належним чином доглянуті ріжучі інструменти з гострими ріжучими кромками рідше заклинюють і ними легше керувати.
- Використовуйте електроінструмент, приладдя, ріжучі інструменти тощо відповідно до цієї інструкції та у спосіб, передбачений для конкретного типу електроінструмента, з урахуванням робочих умов та роботи, яку необхідно виконати. Використання електроінструмента не за призначенням може призвести до потенційно небезпечних ситуацій.

#### **5.5 Обслуговування**

- Ваш електроінструмент повинен обслуговуватися кваліфікованим фахівцем з використанням тільки стандартних запасних частин. Це забезпечить його відповідність необхідним стандартам безпеки.

## 6 ДОДАТКОВІ ПРАВИЛА БЕЗПЕКИ ДЛЯ ПОДРІБНЮВАЧІВ

- Носіть захисні рукавички, захисні окуляри та засоби захисту органів слуху. Уникайте вільного одягу.
- Завжди тримайте рівновагу та стійкість. Не тягніться до машини.
- Під час роботи машина повинна стояти рівно і на твердій поверхні.
- Перед використанням переконайтеся, що всі гвинти і гайки належним чином затягнуті.
- Використовуйте машину тільки в сухих умовах і в жодному разі не використовуйте її на вулиці під час дощу.
- В жодному разі не використовуйте машину з пошкодженими запобіжними пристроями або без захисту.
- Тримайте руки, інші частини тіла та одяг подалі від завантажувального бункера та розвантажувального лотка.
- Тримайте обличчя та інші частини тіла подалі від завантажувального бункера.
- Не залишайте машину без нагляду, вимкніть двигун і витягніть вилку з розетки.
- У вхідний жолоб не можна завантажувати тверді предмети, такі як каміння, пляшки, бляшанки або шматки металу. Це може призвести до пошкодження машини.
- Якщо машина заблокована, зупиніть двигун і витягніть штепсельну вилку з розетки. Витягніть будь-які предмети і перевірте на наявність пошкоджень.
- Якщо перегорає запобіжник або спрацьовує захист від перевантаження, це означає, що машина перевантажена і/або до одного подовжувача під'єднано занадто багато приладів. Перевірте причину та усуньте її. Не встановлюйте більш потужний запобіжник.
- Не тягніть за подовжувач. Не тримайте кабель натягнутим. Це може призвести до пошкодження штекера або ізоляції кабелю. Такі пошкодження невидимі, але можуть бути небезпечними.
- Завжди тримайте подовжувач подалі від машини. Від'єднайте вилку від електричної розетки і регулярно перевіряйте кабель на наявність ознак пошкодження чи старіння. Не використовуйте машину з пошкодженим подовжувачем.
- Якщо кабель пошкоджено, його слід замінити в авторизованому сервісному центрі, щоб уникнути небезпеки.
- В жодному разі не переміщуйте машину, тягнучи за кабель. Забороняється переміщувати машину з працюючим двигуном.
- Перед використанням подрібнювач повинен бути правильно зібраний.



**Попередження! Прилад повинен бути заземлений!**



**Попередження! Використовуйте тільки трижильні подовжувачі з під'єднаним дротом заземлення.**

- Використовуйте лише ті подовжувачі, які схвалені для зовнішнього застосування, і перед використанням переконайтеся, що вони справні.
- Перш ніж вставляти вилку в розетку, переконайтеся, що номінальна потужність розетки відповідає параметрам, зазначеним на етикетці на подрібнювачі.
- Завжди вимикайте подрібнювач перед від'єднанням будь-якого штепсельного розніму чи подовжувача.
- Не підпускайте дітей і домашніх тварин. Під час роботи подрібнювача всі сторонні особи повинні перебувати на безпечній відстані від нього.
- Не допускайте до роботи з подрібнювачем дітей або осіб, які не прочитали цю інструкцію або не знайомі з його роботою.
- Оператор несе відповідальність за третіх осіб під час роботи з подрібнювачем.
- Використовуйте подрібнювач лише за призначенням.



**Увага! В цій машині є ножі, що обертаються.**



**Увага! Відразу після вимкнення леза не зупиняються.**

- Перш ніж виконувати роботи з технічного обслуговування або очищення, вимкніть подрібнювач, від'єднайте штепсельну вилку і зачекайте, поки ріжучий диск зупиниться.
- Забороняється переміщувати чи модифікувати будь-які електричні та механічні пристрої безпеки.
- Використовуйте тільки при денному або хорошому штучному освітленні.
- Не засовуйте руки в завантажувальну лійку або отвір для викидання.
- Якщо подрібнювач починає ненормально вібрувати, негайно вимкніть двигун і перевірте причину. Вібрація, як правило, є попередженням про несправність.
- Перед подрібненням переконайтеся, що леза надійно закріплені. Не використовуйте подрібнювач, якщо леза не встановлені належним чином.
- Перед використанням подрібнювач слід ретельно перевірити. Ви повинні працювати тільки зі справним подрібнювачем. Якщо ви помі-

тили будь-який дефект на машині, який може становити небезпеку для оператора, не використовуйте подрібнювач до усунення дефектів.

- Для безпеки замінійте зношені або пошкоджені деталі. Використовуйте тільки оригінальні запасні частини. Деталі, виготовлені не виробником, можуть призвести до поганого прилягання і можливих травм.
- Використовуйте подрібнювач тільки в місцях, захищених від води, і в жодному разі не використовуйте його на відкритому повітрі в дощову погоду.
- Зберігати в сухому, захищеному від світла і недоступному для дітей місці,
- Цей прилад можуть використовувати діти у віці від 8 років та особи з обмеженими фізичними, чуттєвими або розумовими можливостями або з недостатністю досвіду й знань, якщо вони перебувають під постійним наглядом або їх проінструктовано щодо безпечного використання приладу та вони розуміють можливі небезпеки. Очищення та обслуговування споживачем не повинні здійснювати діти без нагляду.
- Слід наглядати за дітьми, щоб вони не гралися з приладом.

### **6.1 Підготовка**

- Не дозволяйте дітям працювати з цим обладнанням.
- Не використовуйте обладнання поблизу сторонніх осіб.
- Під час роботи використовуйте засоби захисту органів слуху і захисні окуляри.
- Уникайте носіння одягу, який має елементи, що звисають.
- Експлуатуйте машину тільки на відкритому просторі (наприклад, не впритул до стіни або інших нерухомих об'єктів) і на твердій, рівній поверхні.
- Не використовуйте машину на асфальтованій або гравійній поверхні, де викинутий матеріал може спричинити травми.
- Перед запуском машини переконайтеся, що всі гвинти, гайки, болти та інші кріпильні елементи належним чином закріплені, а захисні кожухи та екрани перебувають на своїх місцях. Замініть пошкоджені та нечитабельні етикетки.

### **6.2 Експлуатація**

- Перед запуском машини загляньте в камеру подачі, щоб переконатися, що вона порожня.
- Тримайте обличчя і тіло подалі від отвору для подачі.
- Не допускайте потрапляння рук, інших частин тіла або одягу всередину камери подачі, розвантажувального лотка або поблизу будь-яких рухомих частин.

- Зберігайте належну рівновагу і стійкість. Не витягуйте руки. Під час подачі матеріалу в машину в жодному разі не стійте на рівні, вищому за основу машини.
- Під час роботи з машиною тримайтеся подалі від зони вивантаження.
- Подаючи матеріал у машину, будьте дуже обережні, щоб не допустити потрапляння шматків металу, каміння, пляшок, банок чи інших сторонніх предметів.
- Якщо ріжучий механізм вдариться об сторонні предмети або якщо машина почне видавати незвичний шум або вібрацію, вимкніть джерело живлення і дайте машині зупинитися, від'єднайте дрід свічки запалювання від свічки (від'єднайте електричний блок від мережі) і виконайте наступні кроки:
  - Перевірте наявність пошкоджень.
  - Перевірте і затягніть всі ослаблені деталі.
  - Замініть або відремонтуйте будь-які пошкоджені деталі на деталі з еквівалентними характеристиками.
- Не допускайте накопичення оброблюваного матеріалу в зоні вивантаження; це може перешкодити належному вивантаженню і призвести до зворотного удару матеріалу через отвір для подачі.
- Якщо машина засмітилася, вимкніть джерело живлення і від'єднайте дрід свічки запалювання від свічки (від'єднайте електричний блок від мережі), перш ніж почати очищення від сміття. Тримайте джерело живлення вільним від сміття та інших скупчень, щоб запобігти пошкодженню джерела живлення або можливого загорянню. Пам'ятайте, що запуск пускового механізму на машинах з двигуном все одно призведе до руху ріжучого інструмента.
- Тримайте всі засоби захисту і дефлектори на місці та в належному робочому стані.
- Не втручайтеся в налаштування регулятора джерела живлення; регулятор контролює безпечну максимальну робочу швидкість і захищає джерело живлення та всі рухомі частини від пошкоджень, спричинених перевищенням швидкості. У разі виникнення проблеми зверніться до авторизованого сервісного центру.
- Не транспортуйте пристрій коли джерело живлення увімкнено.
- Вимикайте джерело живлення і від'єднайте провід свічки запалювання (від'єднайте електричний блок від мережі) кожного разу, коли залишаєте робочу зону.
- Не нахилийте машину коли джерело живлення увімкнено.

### 6.3 Обслуговування та зберігання

- Коли зупиняєте машину для обслуговування, перевірки, зберігання чи заміни аксесуарів, вимкніть джерело живлення, від'єднайте дріт свічки запалювання від свічки (від'єднайте електричний блок від мережі), переконайтеся, що всі рухомі частини повністю зупинилися, і, якщо є ключ, вийміть його. Перед виконанням будь-яких перевірок, регулювань тощо дайте машині охолонути.
- Зберігайте машину там, де пари пального не зможуть досягти відкритого вогню або іскри. Перед зберіганням дайте машині охолонути.
- Під час обслуговування ріжучого інструменту слід пам'ятати, що навіть якщо джерело живлення не ввімкнеться через блокування захисного кожуха, ріжучий інструмент все одно можна перемістити за допомогою ручного пускового механізму.

### 6.4 Додаткові інструкції з техніки безпеки для пристроїв з мішковими насадками

- Перед приєднанням або зняттям мішка вимкніть блок живлення.

## 7 ІНСТРУКЦІЇ ЗІ ЗБІРКИ



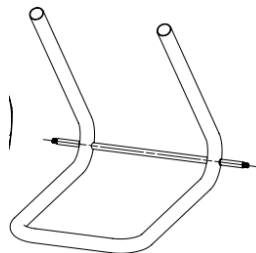
**Попередження! Під час виймання з коробки та збирання машини вам може знадобитися допомога.**

Відкрийте пакунок і вийміть машину.

Витягніть мішок для збору і дістаньте основну частину машини та всі аксесуари.

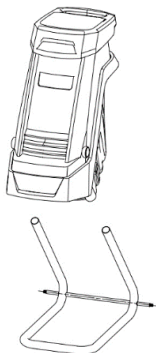
### 7.1 Збірка подрібнювача

- Переверніть подрібнювач догори дном.
- Вставте вісь колеса (10) через попередньо просвердлені отвори в ніжці (Рис. 1).



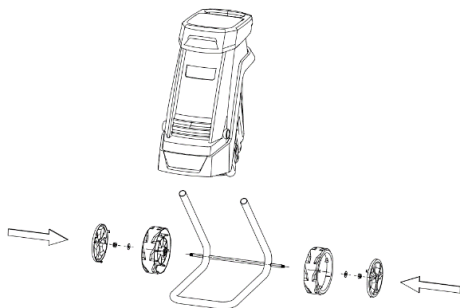
(Рис.1)

- Вставте ніжку (11) в корпус.



(Рис.2)

- Встановіть колесо в тому ж порядку, як показано на Рис. 3, переконавшись, що гайка не затягнута занадто сильно.
- Затягніть ручний гвинт (2). Ручний гвинт має запобіжний вимикач; переконайтеся, що ручка затягнута, інакше двигун не ввімкнеться.



(Рис.3)



**ПРИМІТКА:** Небезпечно використовувати машину без бункера (1).

## 8 ЕКСПЛУАТАЦІЯ

### 8.1 Перемикач увімкнення/вимкнення (Рис. 4)



- Натисніть перемикач увімкнення/вимкнення, щоб запустити та/або зупинити машину.

Примітка: машина оснащена запобіжним вимикачем, який запобігає випадковому увімкненню після збою живлення.

### 8.2 Захист від перевантаження (Рис. 5)



Перевантаження (наприклад, блокування ріжучих ножів) призводить до зупинки машини через кілька секунд. Щоб захистити двигун від пошкодження, вимикач перевантаження (8) автоматично вимкне мережу. Зачекайте щонайменше 1 хвилину перед повторним запуском, натиснувши спочатку кнопку скидання, а потім вимикач увімкнення/вимкнення.

У разі блокування ріжучого ножа поверніть перемикач напрямку обертання в праве положення, перш ніж знову увімкнути подрібнювач.

Якщо двигун не перезапускається, зробіть наступне:

- Вийміть вилку з розетки.
- Ослабте ручний гвинт (2) і відкрийте верхню частину.
- Ретельно очистіть ріжучу та розвантажувальну частини і видаліть будь-які предмети, що можуть заважати лезам.
- Встановіть верхню частину назад і міцно затягніть ручний гвинт.
- Натисніть кнопку скидання перед тим, як натиснути перемикач увімкнення/вимкнення.



**Увага! Під час виконання вищезазначених дій завжди одягайте захисні рукавички!**



### 8.3 Запобіжник

Подрібнювач оснащений запобіжним вимикачем на замку між верхньою і нижньою частинами. Якщо верхня частина не прилягає ідеально і не сидить щільно на нижній частині, спрацьовує ЗАПОБІЖНИЙ ВИМИКАЧ, і двигун не працюватиме. Якщо це станеться:

- Вийміть вилку з розетки.
- Зніміть верхню частину, як описано в попередньому пункті.
- Ретельно очистіть ріжучу та розвантажувальну частини та видаліть будь-які предмети, що можуть заважати лезам.
- Знову з'єднайте їх разом і міцно затягніть ручний гвинт.



**УВАГА: в жодному разі не відкручуйте ручний гвинт до того, як вимкнете перемикач і вийміть вилку з розетки.**

### 8.4 Розбірка

За певних обставин, наприклад, для зберігання після використання, ви можете розібрати машину, виконавши кроки збірки у зворотному порядку, як описано вище.

### 8.5 Інструкції із застосування

Помістіть матеріал, який потрібно подрібнити, в отвір з правого боку. Після цього він буде автоматично втягуватися в машину під час обертання ножа проти годинникової стрілки.

- Не заповнюйте отвір повністю, щоб уникнути заклинювання машини.
- Чергуйте гілки та дрібну підстилку, які є трохи вологими і розкладеними. Це також допоможе уникнути заклинювання фрези.
- Сміття з кухні потрібно компостувати, в жодному разі не кладіть його в подрібнювач!
- Гілки з листям повинні повністю проходити через подрібнювач і не заважати подачі нового матеріалу в машину. Переконайтеся, що подрібнений матеріал може безперешкодно потрапляти в мішок, не перекриваючи вихідний отвір.
- Вентиляційний отвір не повинен бути заблокований подрібненим матеріалом.
- Безперервне подрібнення товстої деревини або гілок може призвести до заклинювання машини.
- М'який матеріал, такий як листя або гілочки, може легко заблокувати вхідний отвір: штовхніть його палицею.
- Перед подрібненням перевіряйте матеріал на наявність цвяхів і каміня, оскільки вони можуть серйозно пошкодити подрібнювач.

- Стежте за вібрацією: вона вказує на зношені або пошкоджені леза.
- За необхідності замініть леза.

### 8.5.1 Як зібрати подрібнений матеріал?

- Перед приєднанням або зняттям мішка вимкніть блок живлення.
- Можна використовувати мішок для збору відходів, що входить до комплекту, або покласти подрібнювач на брезентовий лист для збору подрібненого матеріалу.
- При використанні мішка для збору сміття необхідно закріпити гачки мішка для збору сміття на бокових стінках розвантажувального жолоба.



**Попередження: вентиляційні отвори на корпусі машини в жодному разі не повинні бути закриті мішком для збору або подрібненим матеріалом.**

## 9 ТЕХНІЧНІ ДАНІ

Напруга	220-240 В~
Частота	50/60 Гц
Потужність	2400 Вт
Максимальний ріжучий діаметр	40 мм
Оберти	4500 об/хв
Довжина кабелю	0.35 м
Клас захисту	II
Код захисту оболонки	IPX4

## 10 ШУМ

Значення рівня шуму, виміряні згідно з відповідним стандартом. (K=3)

Рівень акустичного тиску LpA	73.3 дБ(A)
Рівень акустичної потужності LwA	92.3 дБ(A)
Заявлене значення звуку	94 дБ(A)



**УВАГА! Носіть засоби захисту слуху, якщо звуковий тиск перевищує 85 дБ(A).**

## 11 ЧИЩЕННЯ ТА ОБСЛУГОВУВАННЯ

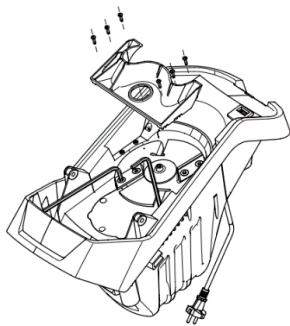
Перед початком процедур очищення та технічного обслуговування переконайтеся, що садовий подрібнювач вимкнено і від'єднано від електромережі. Під час чищення ножів носіть міцні шкіряні рукавички.

- Щоб забезпечити найкращу продуктивність садового подрібнювача, його слід тримати в чистоті.
- Очищайте садовий подрібнювач відразу після використання.
- Не допускайте висихання і затвердіння матеріалу на будь-якій з поверхонь садового подрібнювача. Це безпосередньо впливає на продуктивність подрібнення.
- Переконайтеся, що вхідний і вихідний жолоби чисті і вільні від відходів.
- Переконайтеся, що всі гайки, болти і гвинти затягнуті і надійно закріплені.
- Доручайте ремонт або заміну будь-яких пошкоджених чи зношених деталей лише кваліфікованому персоналу.
- Не використовуйте мийні засоби або розчинники, оскільки вони можуть завдати непоправної шкоди вашій машині. Хімічні речовини можуть зруйнувати пластикові деталі.
- Змащуйте барабан кожні 4 чи 5 разів (щоб захистити навколишнє середовище, використовуйте біологічно чисте мастило, що розкладається).

### 11.1 Заміна різців (Рис. 6)

Якщо фрези необхідно замінити, робіть це завжди попарно. Відкрийте подрібнювач, заблокуйте ріжучий диск викруткою. За допомогою шестигранного ключа, що входить до комплекту, викрутіть гвинти з внутрішнім шестигранником.

Зберіть нові фрези у зворотному порядку.



**УВАГА! Не затягуйте гвинт регулювання пластини і не зрізайте зайвий алюміній з пластини, оскільки це скоротить термін служби подрібнювача.**



**Доручайте перевірку та обслуговування садового подрібнювача кваліфікованому сервісному персоналу. Не намагайтеся ремонтувати пристрій, якщо ви не маєте відповідної кваліфікації.**



**ПОПЕРЕДЖЕННЯ! В жодному разі не використовуйте для чищення подрібнювача мийку високого тиску або проточну воду! Видаліть щіткою бруд і рослинні залишки, які можуть потрапити в спіральну фрезу. Протріть зовнішню поверхню подрібнювача ганчіркою, змоченою м'яким мийним засобом і водою.**

## 12 ЗБЕРІГАННЯ

Щоб захистити подрібнювач від корозії при тривалому зберіганні, обробіть ріжуче лезо екологічно чистим мастилом.

## 13 УСУНЕННЯ НЕСПРАВНОСТЕЙ

ПРОБЛЕМА	ПРИЧИНА	ДІЯ
Двигун не запускається	Запобіжник.	Міцно затягніть ручний гвинт.
	Збій живлення.	Перевірте кабель живлення, вилку та запобіжник.
Матеріал, що має подрібнюватися, не втягується	Матеріал застряє у завантажувальній лійці.	Вимкніть подрібнювач.
	Матеріал для подрібнення занадто м'який.	Витягніть матеріал з завантажувальної лійки. Увімкніть подрібнювач і знову подайте товсті гілки так, щоб лезо не потрапляло в попередньо вирізані насічки.
	Ріжуче лезо заблоковано.	Вставте деревину або подрібніть сухі гілки.

## 14 НАВКОЛИШНЄ СЕРЕДОВИЩЕ



Зверніть увагу на маркування пакувальних матеріалів для роздільного збирання відходів, які позначені абревіатурами (a) та цифрами (b) з наступним значенням: 1-7: пластик / 20-22: папір і ДВП / 80-98: композитні матеріали.



Якщо після тривалого використання прилад потребує заміни, не викидайте його разом з побутовими відходами, а утилізуйте екологічно безпечним способом.

Відходи, вироблені електричними машинами, не повинні утилізуватися як звичайне побутове сміття. Утилізуйте їх там, де існують пункти переробки. Зверніться до місцевої влади або продавця за порадою щодо переробки.

## WARRANTY INFORMATION

The warranty only covers defects in materials or workmanship.

Warranty repairs can only be performed by an authorized service center. At to submit a warranty claim, you must provide the original check (with an indication purchase dates).

The warranty does not cover the following cases:

- Usual wear and tear of the device.
- Improper use, such as overloading the device, using non-recommended accessories.
- Use of force, damage caused by external influences.
- Damage caused by failure to follow the operating instructions, such as connecting to an inappropriate network or failure to follow the operating instructions installation.
- Partially or completely disassembled device.

## ІНФОРМАЦІЯ ПРО ГАРАНТІЮ

Гарантія поширюється лише на дефекти матеріалів або виготовлення.

Гарантійний ремонт може виконувати лише авторизований сервісний центр. При поданні претензії за гарантією необхідно надати оригінал чека (із зазначенням дати покупки).

Гарантія не поширюється на такі випадки:

- Звичне зношення приладу.
- Неправильне використання, наприклад перевантаження приладу, використання некомендованих аксесуарів.
- Застосування сили, пошкодження, спричинені зовнішніми впливами.
- Пошкодження, спричинені недотриманням інструкції з експлуатації, наприклад підключення до невідповідної мережі або недотримання інструкцій зі встановлення.
- Частково або повністю розібраний прилад.

# Warranty Card

Warranty Card	
Model	
Name	
Address	
Tel	
Mail	
Name of store	
Buying of the store	
Please fill in all the above items.	

## **This product provides a 12-months warranty service from the date of purchase**

- If there is a quality problem within the range of normal use, we provide warranty service.
- After purchasing our company's products, please keep this product together with invoices and other items. When maintenance services are needed, please provide information according to our company's request.
- In the case where the warranty is damaged or altered, and no stamp of the sales store on the warranty, the warranty service may be not be provided.
- Damage causes by use beyond the normal range of use is not covered by the warranty service.
- The content of the warranty scope shall be subject to the content recognized by the company.
- Even within the scope of the warranty, sometimes it will be exchanged for products with the same function. The shipping and repair fees for products outside the warranty range shall be paid by the customer.
- Sometimes the specifications and functions of the product will be updated without prior notice.

**Authorized service center FE «E-R-C»**

**Address: Marka Vovchka str., 18A, Kyiv, 04073,**

**Ukraine Tel.: 0 800 300 345; (044) 230 34 84; 390 55 12**

**[www.erc.ua/service](http://www.erc.ua/service)**

# ГАРАНТІЯ

## **Цей продукт має 12-місячне гарантійне обслуговування з дати покупки**

- Ми здійснюємо гарантійне обслуговування пристрою, якщо за умов правильного використання має місце проблема з якістю.
- Після придбання продукції нашої компанії зберігайте цей продукт разом із рахунками та іншими предметами. Якщо потрібні послуги з технічного обслуговування, надайте інформацію відповідно до запиту нашої компанії.
- У випадку, якщо гарантійний талон пошкоджено або змінено, або на ньому немає печатки магазину продажу, гарантійне обслуговування може бути не надано.
- Гарантійне обслуговування не поширюється на пошкодження, спричинені неправильним використанням.
- Зміст обсягу гарантії залежить від змісту, визнаного компанією.
- Інколи в рамках гарантії можна здійснити заміну пристроїв на інші з такою ж функціональністю. Плату за доставку і ремонт продуктів, на які не поширюється гарантія, здійснює клієнт.
- Іноді технічні характеристики і функції продукту оновлюються без попереднього повідомлення.

**Авторизований сервісний центр ІП «I-AP-CI»**

**Адреса: вул. Марка Вовчка, 18-А, Київ, 04073, Україна**

**Тел.: 0 800 300 345; (044) 230 34 84; (044) 390 55 12**

**<https://service.erc.ua>**

# Warranty card/Гарантійний талон

Product information/Інформація про виріб

Product/Виріб

Model/Модель

Serial number/Серійний номер

Seller Information/Інформація про продавця

Trade organization name/Назва торгової організації

Address/Адреса

Date of sale/Дата продажу

Seller stamp/Штамп продавця

## Соупон/Талон № 3

Seller stamp/

Штамп продавця/

Date of application/Дата звернення

Cause of damage/Причина пошкодження

Date of completion/Дата виконання

## Соупон/Талон № 2

Seller stamp/

Штамп продавця/

Date of application/Дата звернення

Cause of damage/Причина пошкодження

Date of completion/Дата виконання

## Соупон/Талон № 1

Seller stamp/

Штамп продавця/

Date of application/Дата звернення

Cause of damage/Причина пошкодження

Date of completion/Дата виконання